



# HEPU KNIFE GATE VALVE

DATA SHEET

02 | 2015

## RANGE OF APPLICATION

HEPU knife gate valves are to be used in the following businesses:

- Sand and gravel extraction/preparation
- Excavation and tunnelling
- Transit-mixed concrete recycling
- Coal and sludge preparation
- Ore preparation
- Steel and smelting works
- Power plants
- Waste incineration systems
- Porous concrete
- Fine sand extraction
- Potash and salt industry
- Suction dredger systems
- Hydrocyclone installations

## DESIGN

In heavy, robust construction for on-off operation. With highly wear-resistant polyurethane inserts as interchangeable wear parts.

Because of the structural characteristics, no solids or sediment can be deposited within the gate and thus cannot block it.

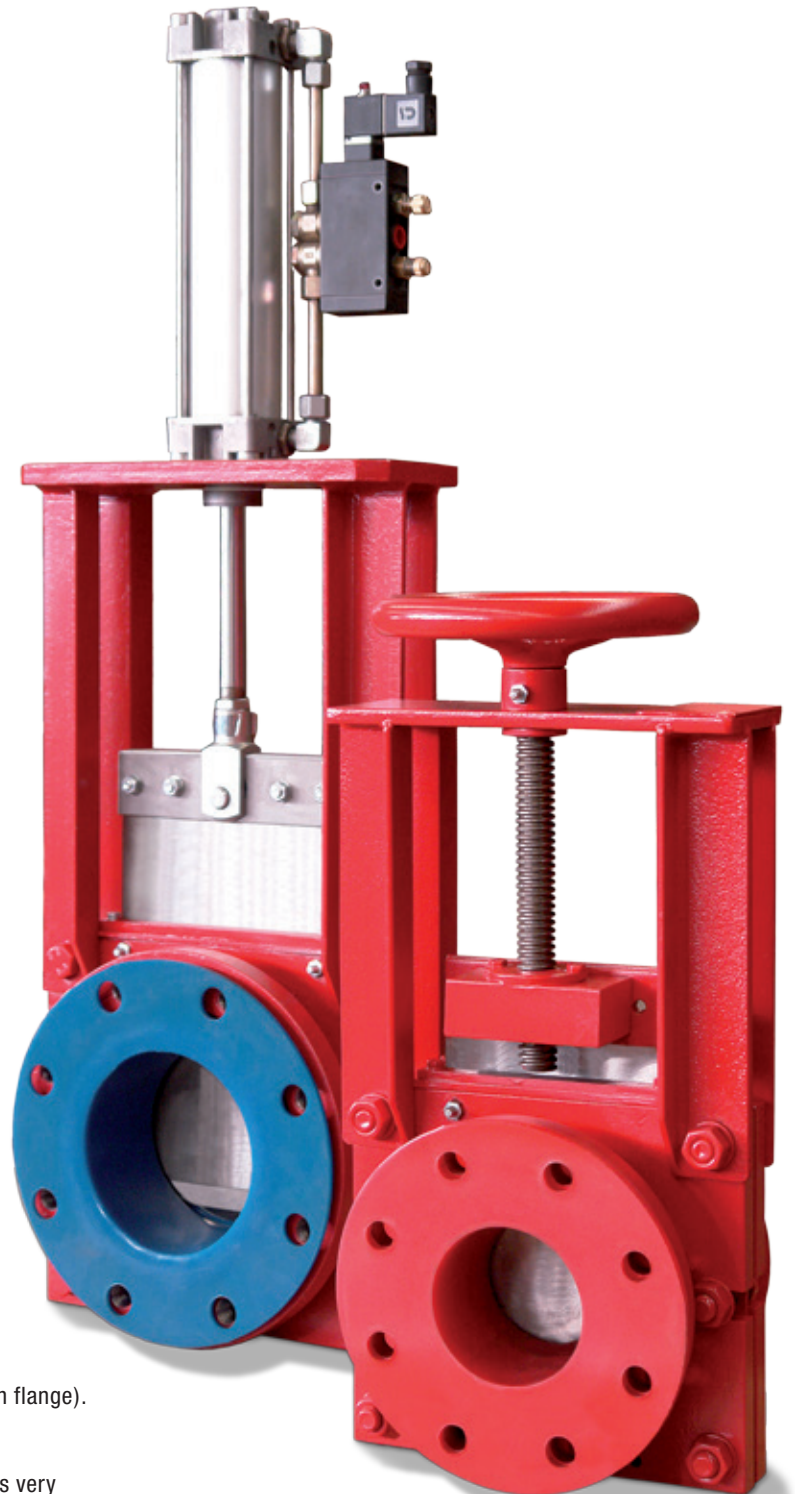
Blade material stainless steel  
Spindle material stainless steel

## OPERATING DATA

Optionally equipped with hand wheel, pneumatic drive, hydraulic drive or electric drive.

Flange connections according to DIN 2576, PN10 (smooth flange).  
Nominal diameter from DN 50 up to DN 500.

Because of the heavy and robust construction, the slide is very durable. It is especially worth noting that the slide has a very short fitting length. With any wear that arises, only the two interchangeable PU-inserts are to be changed.



MADE IN GERMANY

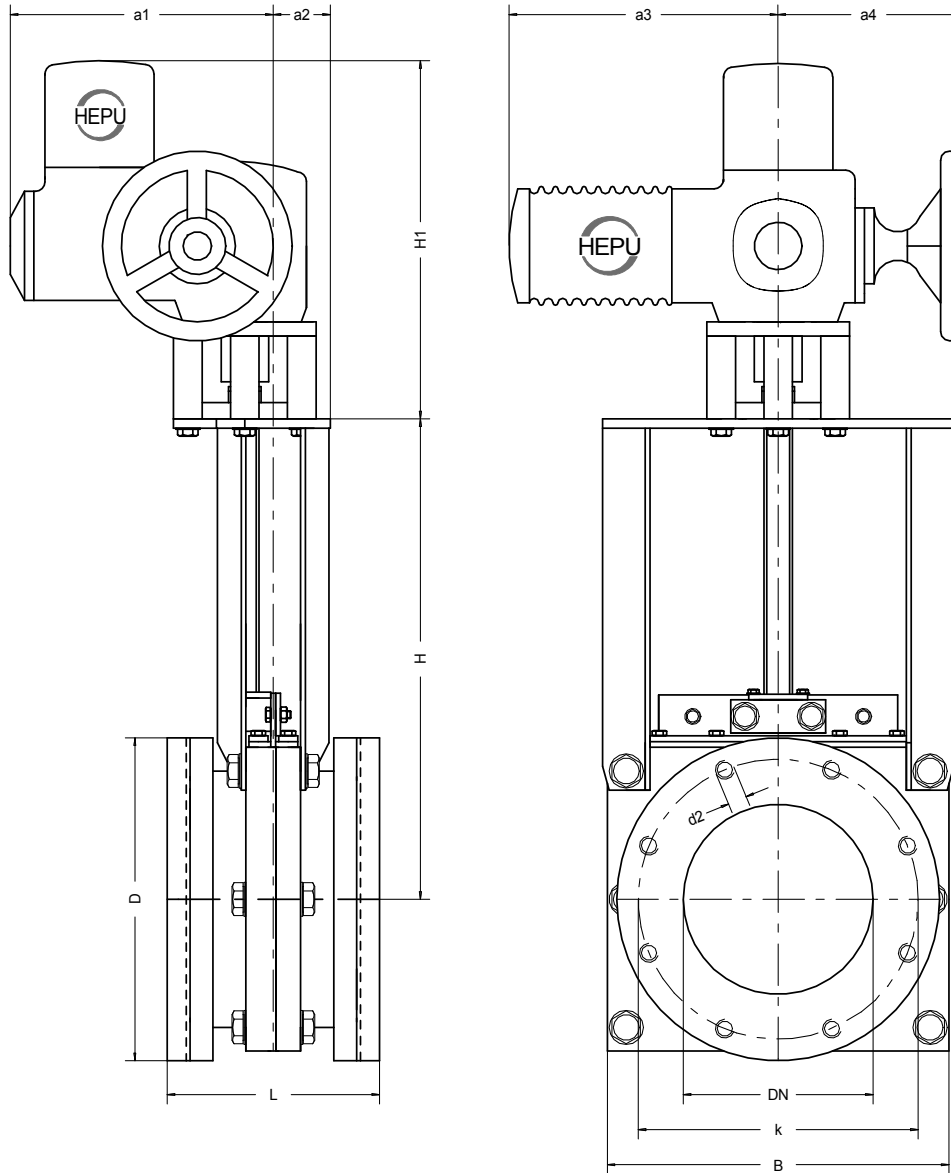


**PUMPEN UND MASCHINEN GMBH**

# HEPU KNIFE GATE VALVE

## DIMENSION SHEET

## KNIFE GATE VALVE WITH ROTARY DRIVE



DN	k	D	d2	Number	B	L	H	H1	a1	a2	a3	a4
65	145	185	M16	4	216	183	401	364	267	60	265	186
80	160	200	M16	8	240	183	440	364	267	60	265	186
100	180	220	Ø18	8	260	183	470	364	267	60	265	186
150	240	285	M20	8	310	188	579	374	277	60	284	190
200	295	340	M20	8	360	216	666	374	277	60	284	190
250	350	395	M20	12	410	228	861	338	287	115	284	190
300	400	445	M20	12	460	229	928	338	287	115	284	190

SUBJECT TO TECHNICAL CHANGES